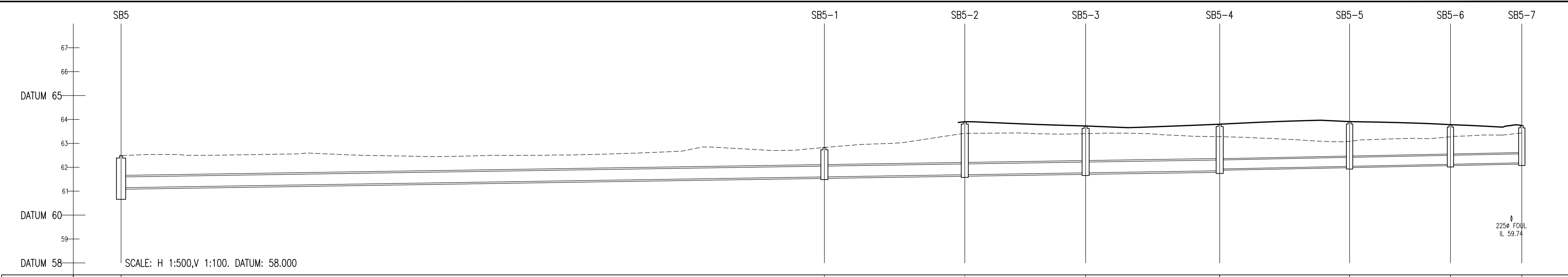
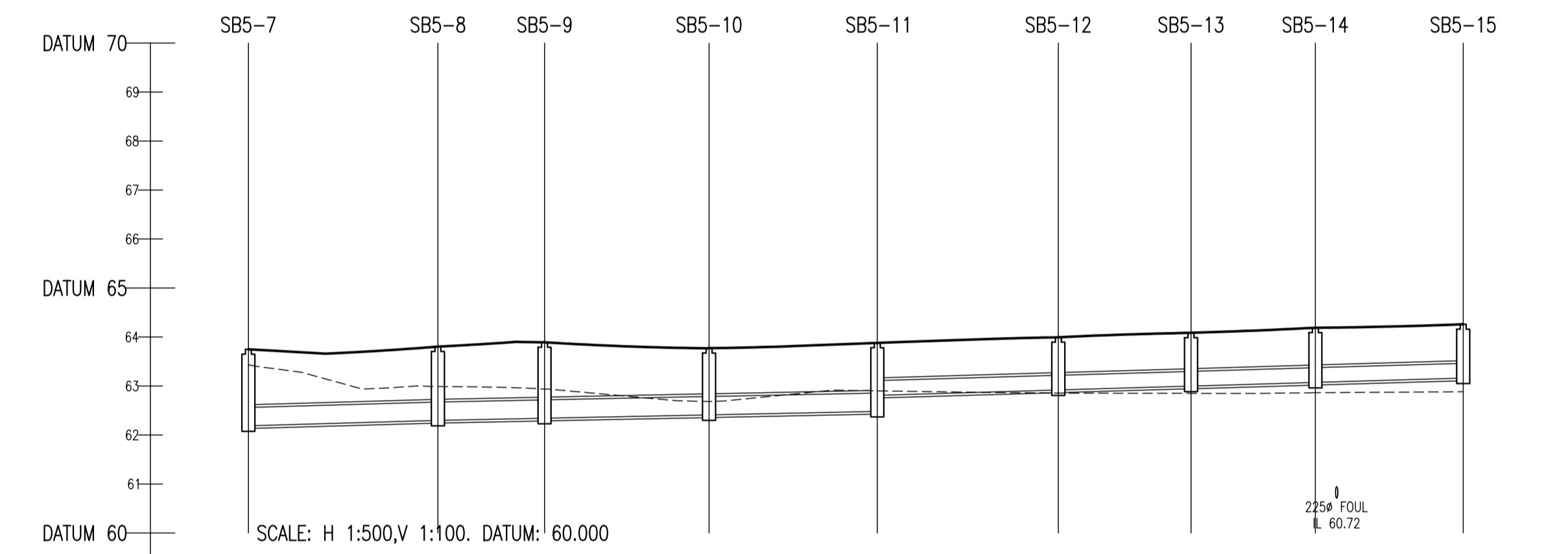


- NOTES:
- ALL DRAWINGS TO BE CHECKED BY CONTRACTOR ON SITE AND ENGINEER INFORMED OF DISCREPANCIES BEFORE WORK COMMENCES
 - ALL LEVELS ARE IN METRES AND ARE RELATED TO ORDNANCE DATUM
 - CONTRACTOR SHALL SATISFY HIMSELF AS TO THE ACCURACY OF PAVEMENT LEVELS ON SITE PRIOR TO COMMENCEMENT OF WORKS ON SITE
 - ALL WORKS TO BE CONSTRUCTED IN ACCORDANCE WITH THE NRA SPECIFICATION FOR ROAD WORKS UNLESS NOTED OTHERWISE
 - THIS DRAWING IS FOR PLANNING PURPOSES ONLY
 - MANHOLE COVER LEVELS ARE TO CONFORM WITH FINISHED ROAD AND PATH LEVELS
 - WHERE COVER TO PIPE IS LESS THAN 1200mm (ROAD/PATH/VERGE) OR 900mm (OPEN SPACE) SURROUND PIPE IN MINIMUM 150mm CONCRETE

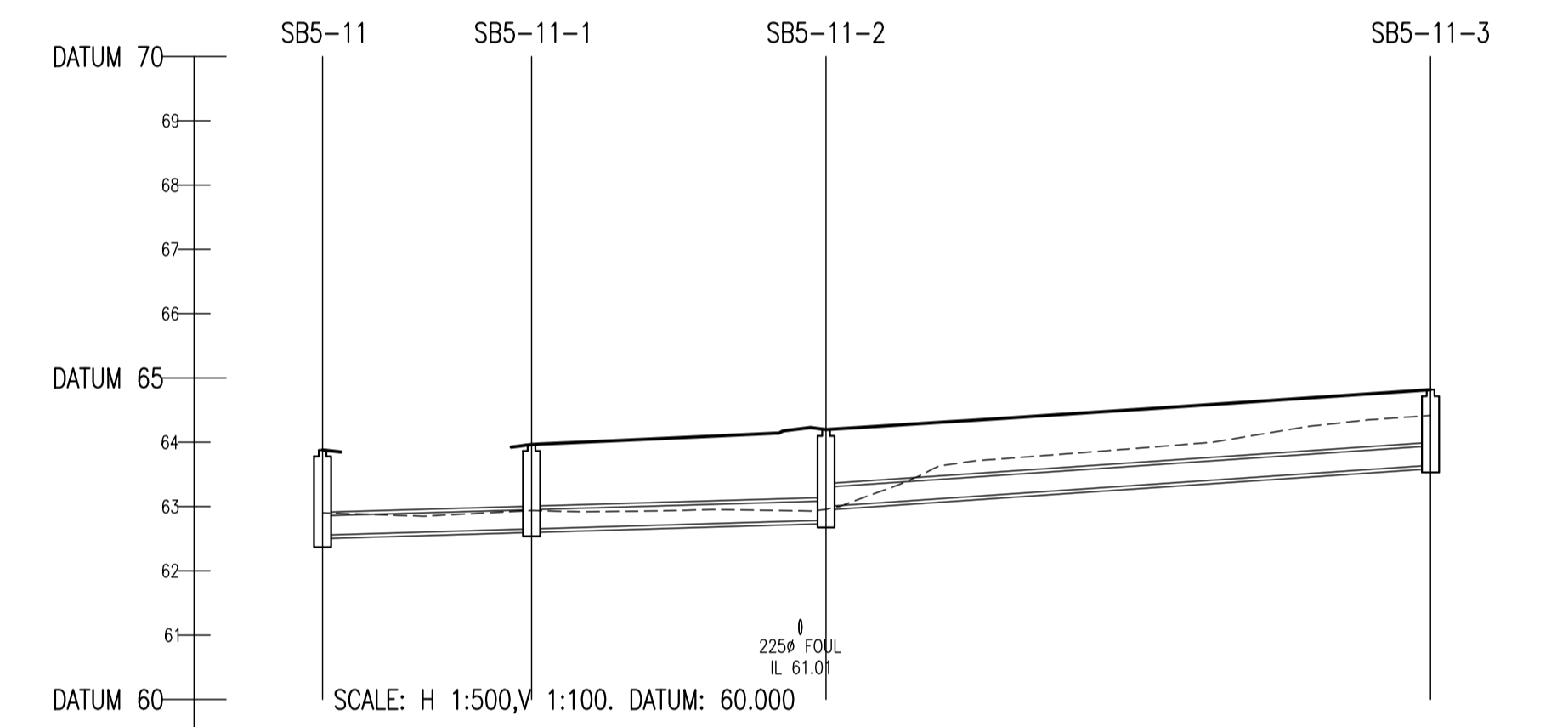
KEY
 - - - - - EXISTING GROUND PROFILE
 ——— PROPOSED GROUND PROFILE



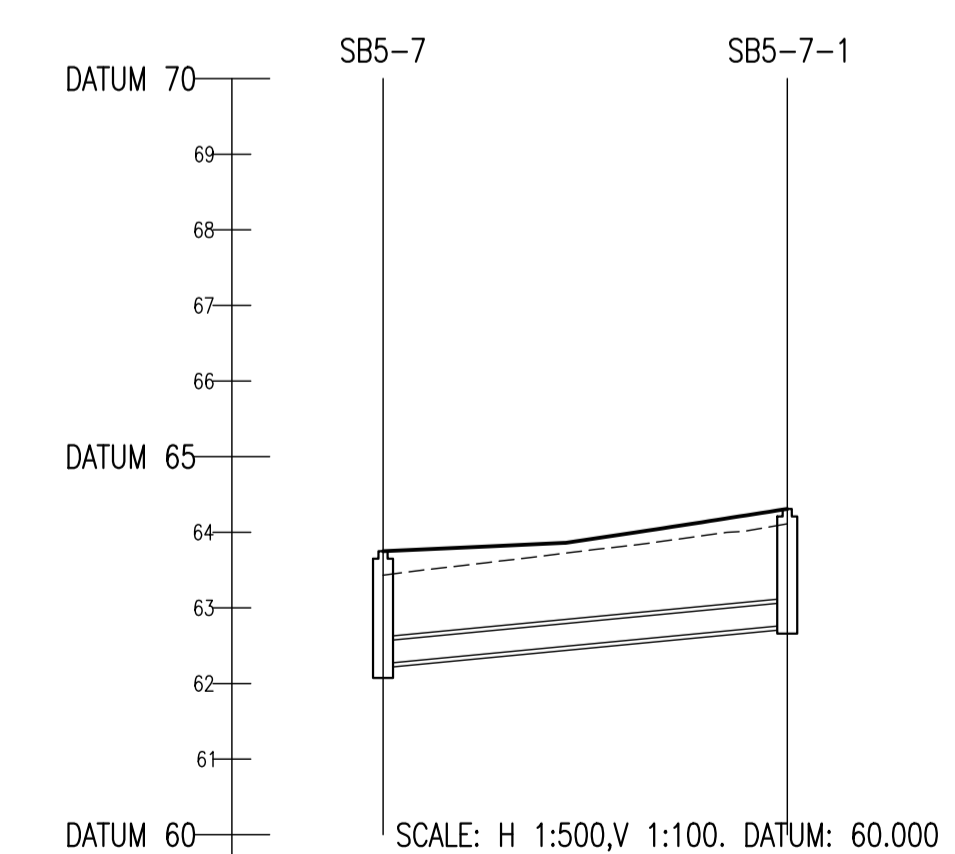
COVER LEVEL	62.488		62.800																					
INVERT LEVEL	61.146		13.014	61.598	61.598	13.013	61.690	61.690	13.012	61.788	61.788	13.011	61.854	61.928	63.801	62.040	62.040	13.009	62.126	62.126	13.008	62.286	62.288	63.749
DEPTH (m)	1.680			1.194	1.194		2.179	2.179		1.922	1.922		1.910	1.910		1.832	1.832		1.616	1.616		1.525	1.525	
DISTANCE (m)			147.18			29.38			25.28			28.06			27.18			21.11			14.93		19.33	
PIPE SLOPE			1:325			1:323			1:324			1:326			1:245			1:245			1:245		1:173	
PIPE SIZE			450mm			450mm			450mm			450mm			375mm			375mm			375mm		375mm	



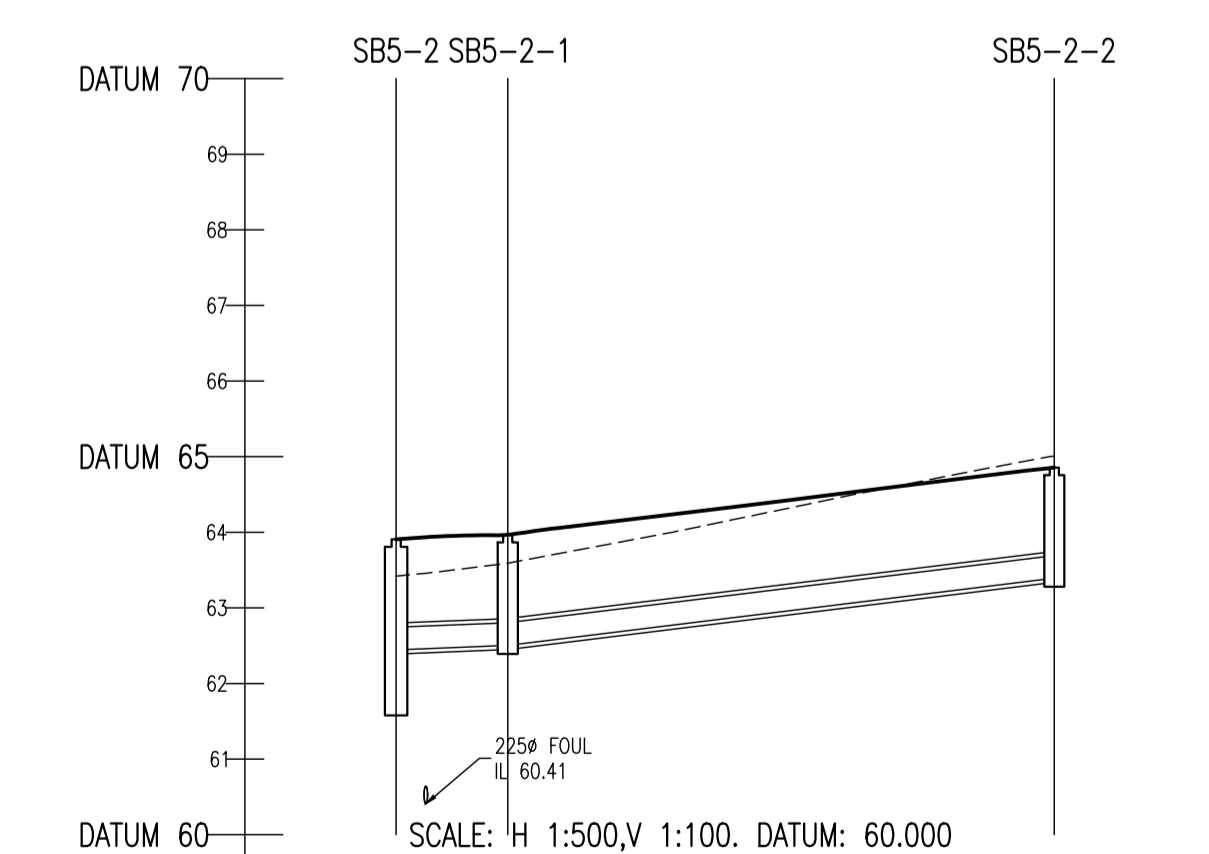
COVER LEVEL	63.749																								
INVERT LEVEL	62.186	13.007	62.298	62.298	13.006	62.342	62.342	13.005	62.410	62.410	13.004	62.490	62.490	13.003	62.518	62.518	13.002	62.598	62.598	13.001	62.674	62.674	13.000	62.762	64.260
DEPTH (m)	1.525		1.488	1.488		1.512	1.512		1.325	1.325		1.382	1.382		1.039	1.039		1.051	1.051		1.078	1.078		1.090	
DISTANCE (m)		19.33		10.88		16.78		17.16		18.47		13.53		12.69		15.07									
PIPE SLOPE		1:173		1:247		1:247		1:245		1:169		1:169		1:169		1:169									
PIPE SIZE		375mm		375mm		375mm		375mm		300mm		300mm		300mm		300mm									



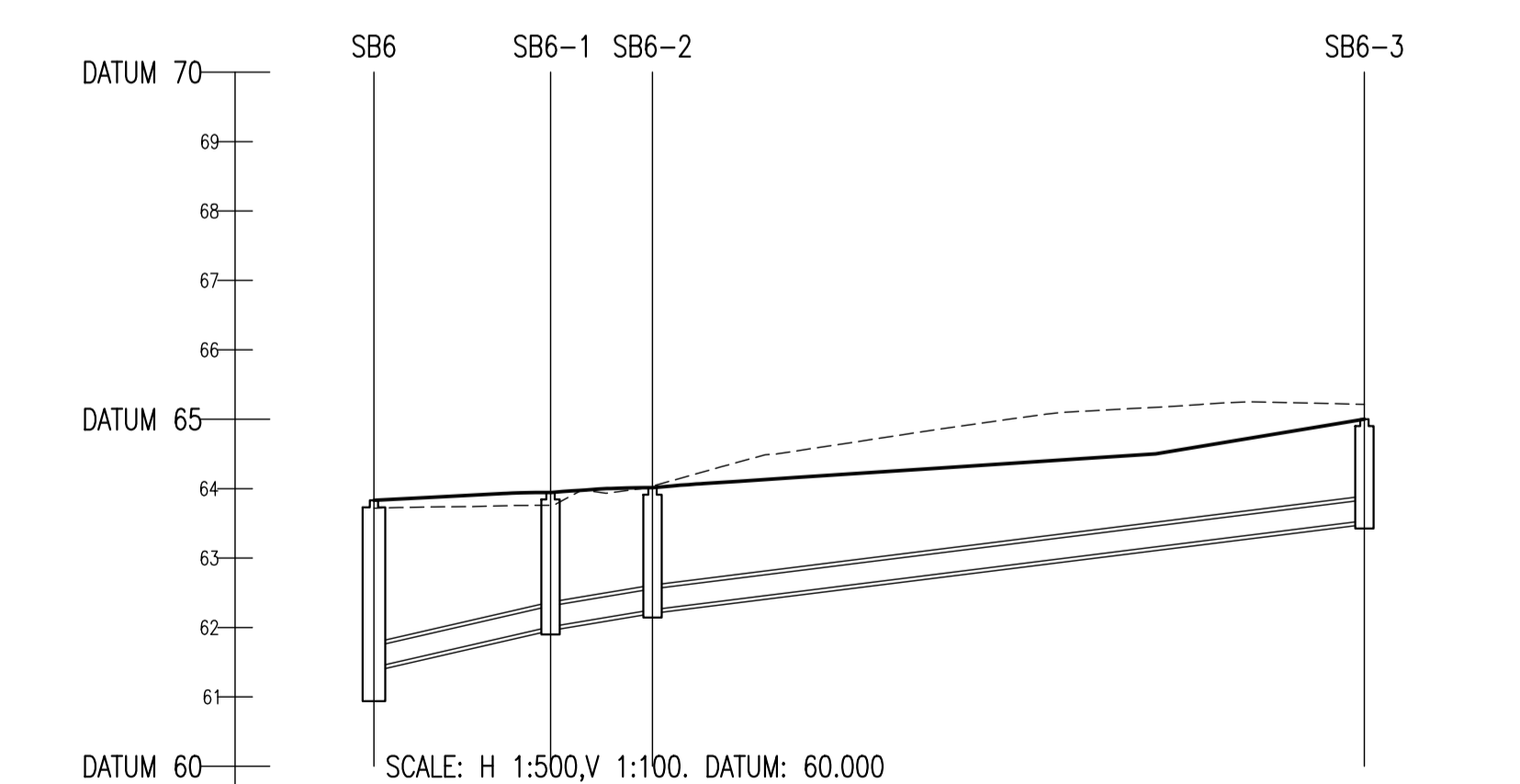
COVER LEVEL	63.880																								
INVERT LEVEL	62.556	14.002	62.652	62.652	14.001	62.795	62.795	14.000	63.002	63.002	14.001	64.188													
DEPTH (m)	1.382		1.276	1.276		1.374	1.374		1.374	1.374		1.374													
DISTANCE (m)		16.26		22.92		47.04																			
PIPE SLOPE		1:169		1:170		1:73																			
PIPE SIZE		300mm		300mm		300mm																			



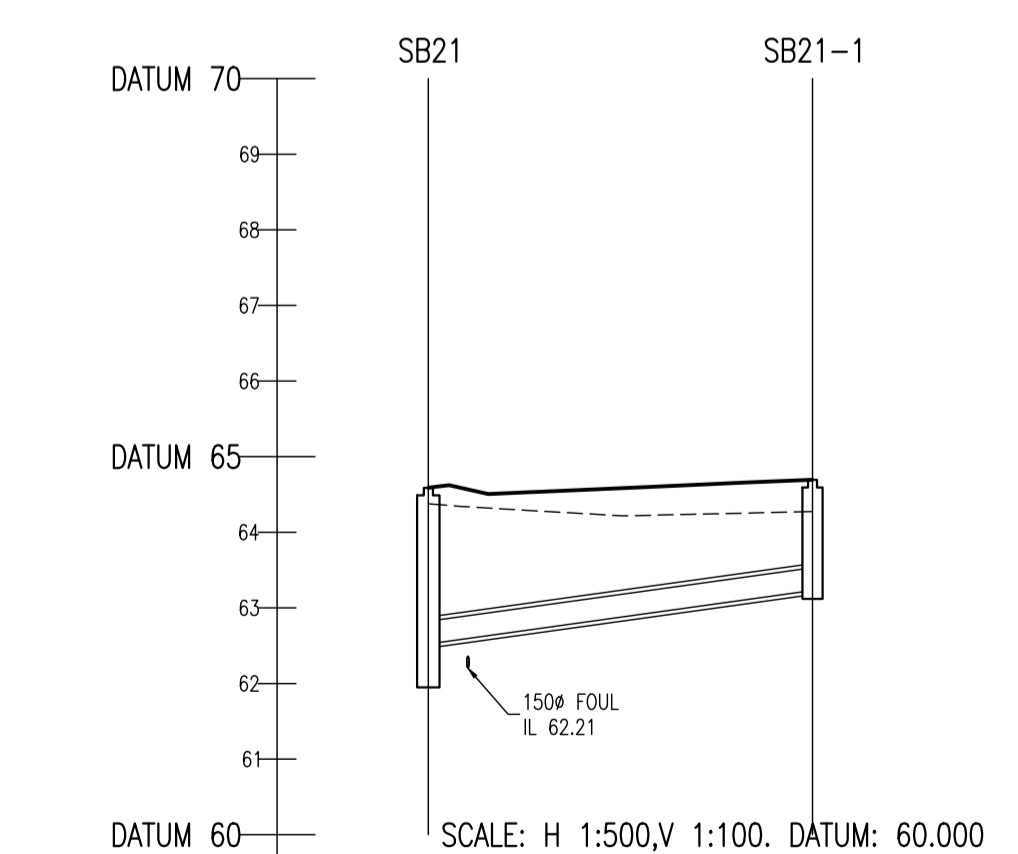
COVER LEVEL	63.749				
INVERT LEVEL	62.262	16.000		62.772	64.309
DEPTH (m)	1.525			1.500	
DISTANCE (m)		26.73			
PIPE SLOPE		1:52			
PIPE SIZE		300mm			



COVER LEVEL	63.906				
INVERT LEVEL	62.642	17.000		63.967	64.855
DEPTH (m)	2.179			1.425	
DISTANCE (m)		7.38		36.15	
PIPE SLOPE		1:123		1:41	
PIPE SIZE		300mm		300mm	



COVER LEVEL	63.831					
INVERT LEVEL	61.426	12.002	62.012	62.012	64.013	65.001
DEPTH (m)	2.743		1.895	1.719		1.425
DISTANCE (m)		12.72	7.34	51.27		
PIPE SLOPE		1:22	1:30	1:40		
PIPE SIZE		300mm	300mm	300mm		



COVER LEVEL	64.589				
INVERT LEVEL	62.522	6.000		63.230	64.693
DEPTH (m)	2.490			1.425	
DISTANCE (m)		25.41			
PIPE SLOPE		1:36			
PIPE SIZE		300mm			

REV	DATE	DESCRIPTION	BY	CHKD
P1	17/12/19	PLANNING ISSUE	PJC	BCM

STAGE 2 - PLANNING

DESIGNED	BCM	PREPARED	PJC
DATE	OCT 2019	CHECKED	DJR

DBFL Consulting Engineers
 Dublin Office: Ormrod House, Upper Ormrod Quay, Dublin 7, Ireland. PHONE +353 1 400 4000 FAX +353 1 400 4050
 Waterford Office: Unit 2, The Chandlery, 1-2 O'Connell Street, Waterford, Ireland. PHONE +353 51 338 550 FAX +353 51 844 913
 Email: info@dbfl.ie site: www.dbfl.ie

PROJECT
NEWTOWNMOYAGHY SHD

DRG. TITLE
LONGITUDINAL SECTIONS THROUGH SURFACE WATER SHEET 5 OF 6

CLIENT
MCGARRELL REILLY